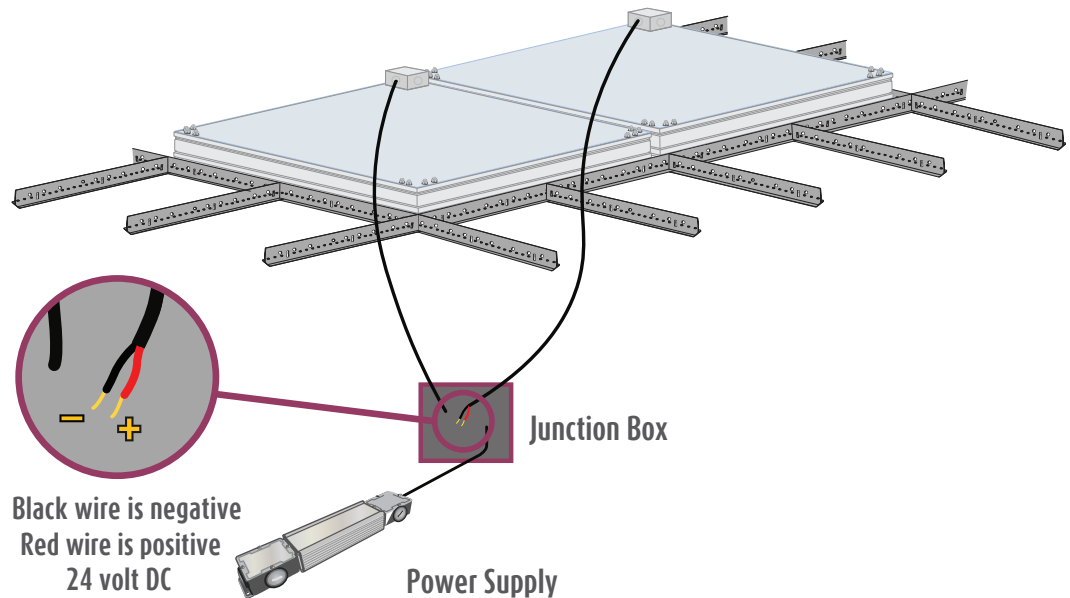


Revelation w/ EcoSlim Electrical Instructions (Fixture Only)



Installation Instructions includes:

Revelation w/ EcoSlim Electrical Instructions (Fixture Only)

Wiring Diagram EL001181

Total Wattage per Number of EcoSlim Fixtures

Installation specific wiring diagram (where applicable)

For technical support at any time during the installation, please call us **toll free at 866-759-3228**.
We want your installation to go as smoothly as possible. Thank you for choosing Sky Factory.

Revelation w/ EcoSlim Electrical Requirements:

ES26 Series = ES26, ES26M, ES26G

ES33 Series = ES33, ES33M, ES33G

ES34 Series = ES34, ES34M, ES34G

ES36 Series = ES36, ES36M, ES36G

ES44 Series = ES44, ES44M, ES44G

ES46 Series = ES46, ES46M, ES46G

NOTE: For custom sizes, see installation specific wiring diagram (where applicable)

All EcoSlim fixtures are 24V DC only.

EcoSlim fixtures must be powered only by a UL Listed or CE Compliant 24V DC power supply with wattage greater than total wattage of EcoSlim fixtures.

Dry locations only.

For number of fixtures per power supply, see

“Total Wattage per Number of EcoSlim Fixtures” on page 6-8

For installations with one or more custom sizes, see

installation specific wiring diagram attached

For dimming requirements, see page 4.

RF filter, if used, is not provided by Sky Factory.

Electrical work must be performed by a qualified electrician who is familiar with DC lighting systems and must conform to all local and national codes.

Step 1: Wiring the Revelation fixtures to the power supply

See supporting drawing and charts on pages 5-8 and installation specific wiring diagram (where applicable)

EcoSlim Lighting System - ES26 Series to ES46 Series				
TSF Model No.	Light Box Dimensions and Weight Only		System Wattage (Max)	Input Current @ 24 Volts DC
	WxLxH	Weight		
ES26	22.8125 x 34.8125 x 3.72 (inches)	27.6 lb	57.1	2.38A
ES33	34.8125 x 34.8125 x 3.72 (inches)	20.8 lb	42.7	1.78A
ES34	34.8125 x 46.8125 x 3.72 (inches)	27.6 lb	52.6	2.19A
ES36	34.8125 x 70.8125 x 3.72 (inches)	40 lb	65.5	2.73A
ES44	46.8125 x 46.8125 x 3.72 (inches)	35.3 lb	59	2.46A
ES46	46.8125 x 70.8125 x 3.72 (inches)	47.5 lb	89.8	3.74A
ES26M	57 x 177 x 9.54 (cm)	12.6 kg	57.1	2.38A
ES33M	87 x 87 x 9.54 (cm)	9.5 kg	42.7	1.78A
ES34M	87 x 117 x 9.54 (cm)	12.6 kg	52.6	2.19A
ES36M	87 x 177 x 9.54 (cm)	18.1 kg	65.5	2.73A
ES44M	117 x 117 x 9.54 (cm)	16 kg	59	2.46A
ES46M	117 x 177 x 9.54 (cm)	21.1 kg	89.8	3.74A
ES26G	59.5 x 184.5 x 9.54 (cm)	12.6 kg	57.1	2.38A
ES33G	90.8 x 90.8 x 9.54 (cm)	9.5 kg	42.7	1.78A
ES34G	90.8 x 122 x 9.54 (cm)	12.6 kg	52.6	2.19A
ES36G	90.8 x 184.5 x 9.54 (cm)	18.1 kg	65.5	2.73A
ES44G	122 x 122 x 9.54 (cm)	16 kg	59	2.46A
ES46G	122 x 184.5 x 9.54 (cm)	22.4 kg	89.8	3.74A

NOTE: For custom sizes, see also installation specific wiring diagram



Notice: The LED fixtures are 24V DC ONLY.

AC voltage connected directly to the fixtures
will destroy the lighting system.

Step 1 continued

Fixtures are wired together in single or multiple circuits. Each circuit may be arranged in rows or clusters, depending on installation.

A junction box with 1/2" trade size knock-outs is attached on top corner of each fixture.

- Power leads inside fixture junction box are polarized, red (+) and black (-).
- Wire size 18 AWG stranded.

Wiring from fixtures to V DC side of client-provided power supply is polarized, positive (+) to positive (+) and negative (-) to negative (-):

Wire and additional junction boxes from the fixtures to the power supply provided by others.

Wire gauge must conform to local and national codes. Voltage drop of no more than 2% is recommended.

Step 2: Dimming requirements

IMPORTANT: Use of Sky Factory approved dimming system only! Contact the Sky Factory if you plan on using a dimming system provided by others.



Notice: Dimming using non-approved systems may permanently damage LED's and will void the warranty!

In MRI applications, an RF Filter is required and is not provided by Sky Factory.

Step 3: Checking the polarity



Notice: CHECK THE POLARITY BEFORE TURNING ON POWER. MAKE SURE:

Red wires on the fixtures go to the "+" terminals of the power supply

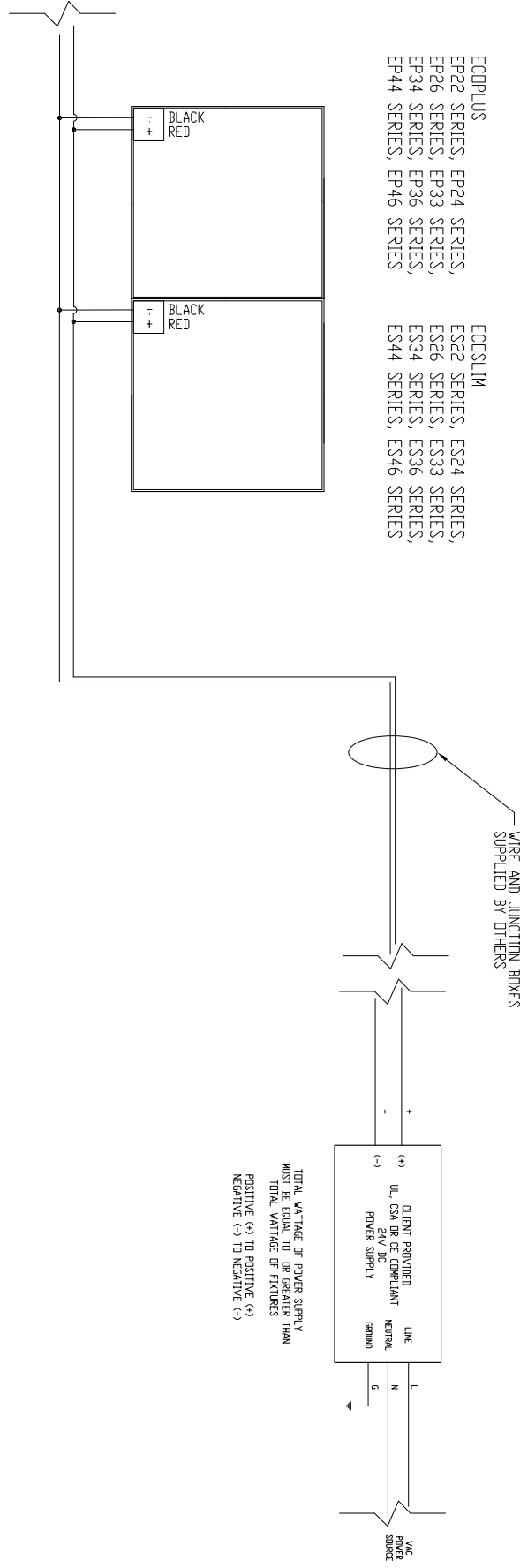
Black wires on the fixtures go to the "-" terminals of the power supply

IF THE SYSTEM IS WIRED BACKWARD, IT WILL DESTROY THE LED'S!

EP AND ES SERIES FIXTURES
WITH CLIENT PROVIDED POWER SUPPLY

ECOPPLUS
EP22 SERIES, EP24 SERIES,
EP26 SERIES, EP33 SERIES,
EP34 SERIES, EP36 SERIES,
EP44 SERIES, EP46 SERIES

ECOSLIM
ES22 SERIES, ES24 SERIES,
ES26 SERIES, ES33 SERIES,
ES34 SERIES, ES36 SERIES,
ES44 SERIES, ES46 SERIES



TOTAL WATTAGE OF POWER SUPPLY
MUST BE EQUAL TO OR GREATER THAN
TOTAL WATTAGE OF FIXTURES
POSITIVE (+) TO POSITIVE (+)
NEGATIVE (-) TO NEGATIVE (-)

- NOTES
1. ALL FIXTURES 24V DC ONLY.
 2. JUNCTION BOX ATTACHED TO EACH FIXTURE.
WIRE SIZE 18 AWG STRANDED
WIRE COLORS:
RED (+) (POSITIVE)
BLACK (-) (NEGATIVE)
 3. SEE ALSO TOTAL WATTAGE PER NUMBER OF ECOSLIM FIXTURES
CHART AND WIRE SIZING CHART.
 4. USE OF SKY FACTORY APPROVED DIMMING SYSTEM ONLY!
CONTACT THE SKY FACTORY IF YOU PLAN ON USING A
DIMMING SYSTEM PROVIDED BY OTHERS.
- NOTICE: DIMMING USING NON-APPROVED SYSTEMS
MAY PERMANENTLY DAMAGE LEDS AND WILL
VOID THE WARRANTY!

		TITLE: E1.001181	REV: G
SKY FACTORY 1000 W. 10TH AVENUE SUITE 100 DENVER, CO 80202 TEL: 303.733.8888 FAX: 303.733.8889 WWW.SKYFACTORY.COM		PROJECT:	DATE: 02/25/2019
1000 W. 10TH AVENUE SUITE 100 DENVER, CO 80202 TEL: 303.733.8888 FAX: 303.733.8889 WWW.SKYFACTORY.COM		DRAWING NO:	SCALE: NOT TO SCALE

Total Wattage per Number of EcoSlim Fixtures

All Revelation fixtures must be powered by a UL Listed or CE Compliant 24V DC power supply.
This table provides information for properly sizing a power supply given the number of fixtures in a given installation.

No. of Fixtures	ES26 Series		ES33 Series	
	Required Current Amps	Required Current Watts	Required Current Amps	Required Current Watts
1	2.38	57.12	1.78	42.72
2	4.76	114.24	3.56	85.44
3	7.14	171.36	5.34	128.16
4	9.52	228.48	7.12	170.88
5	11.9	285.6	8.9	213.6
6	14.28	342.72	10.68	256.32
7	16.66	399.84	12.46	299.04
8	19.04	456.96	14.24	341.76
9	21.42	514.08	16.02	384.48
10	23.8	571.2	17.8	427.2
11	26.18	628.32	19.58	469.92
12	28.56	685.44	21.36	512.64
13	30.94	742.56	23.14	555.36
14	33.32	799.68	24.92	598.08
15	35.7	856.8	26.7	640.8
16	38.08	913.92	28.48	683.52
17	40.46	971.04	30.26	726.24
18	42.84	1028.16	32.04	768.96
19	45.22	1085.28	33.82	811.68
20	47.6	1142.4	35.6	854.4
21	49.98	1199.52	37.38	897.12
22	52.36	1256.64	39.16	939.84
23	54.74	1313.76	40.94	982.56
24	57.12	1370.88	42.72	1025.28
25	59.5	1428	44.5	1068
26	61.88	1485.12	46.28	1110.72
27	64.26	1542.24	48.06	1153.44
28	66.64	1599.36	49.84	1196.16
29	69.02	1656.48	51.62	1238.88
30	71.4	1713.6	53.4	1281.6
31	73.78	1770.72	55.18	1324.32
32	76.16	1827.84	56.96	1367.04
33	78.54	1884.96	58.74	1409.76
34	80.92	1942.08	60.52	1452.48
35	83.3	1999.2	62.3	1495.2

Total Wattage per Number of EcoSlim Fixtures

All Revelation fixtures must be powered by a UL Listed or CE Compliant 24V DC power supply.
This table provides information for properly sizing a power supply given the number of fixtures in a given installation.

No. of Fixtures	ES34 Series		ES36 Series	
	Required Current Amps	Required Current Watts	Required Current Amps	Required Current Watts
1	2.19	52.56	2.73	65.52
2	4.38	105.12	5.46	131.04
3	6.57	157.68	8.19	196.56
4	8.76	210.24	10.92	262.08
5	10.95	262.8	13.65	327.6
6	13.14	315.36	16.38	393.12
7	15.33	367.92	19.11	458.64
8	17.52	420.48	21.84	524.16
9	19.71	473.04	24.57	589.68
10	21.9	525.6	27.3	655.2
11	24.09	578.16	30.03	720.72
12	26.28	630.72	32.76	786.24
13	28.47	683.28	35.49	851.76
14	30.66	735.84	38.22	917.28
15	32.85	788.4	40.95	982.8
16	35.04	840.96	43.68	1048.32
17	37.23	893.52	46.41	1113.84
18	39.42	946.08	49.14	1179.36
19	41.61	998.64	51.87	1244.88
20	43.8	1051.2	54.6	1310.4
21	45.99	1103.76	57.33	1375.92
22	48.18	1156.32	60.06	1441.44
23	50.37	1208.88	62.79	1506.96
24	52.56	1261.44	65.52	1572.48
25	54.75	1314	68.25	1638
26	56.94	1366.56	70.98	1703.52
27	59.13	1419.12	73.71	1769.04
28	61.32	1471.68	76.44	1834.56
29	63.51	1524.24	79.17	1900.08
30	65.7	1576.8	81.9	1965.6
31	67.89	1629.36	84.63	2031.12
32	70.08	1681.92	87.36	2096.64
33	72.27	1734.48	90.09	2162.16
34	74.46	1787.04	92.82	2227.68
35	76.65	1839.6	95.55	2293.2

Total Wattage per Number of EcoSlim Fixtures

All Revelation fixtures must be powered by a UL Listed or CE Compliant 24V DC power supply.

This table provides information for properly sizing a power supply given the number of fixtures in a given installation.

No. of Fixtures	ES44 Series		ES46 Series	
	Required Current Amps	Required Current Watts	Required Current Amps	Required Current Watts
1	2.46	59.04	3.74	89.8
2	4.92	118.08	7.48	179.6
3	7.38	177.12	11.22	269.4
4	9.84	236.16	14.96	359.2
5	12.3	295.2	18.7	449
6	14.76	354.24	22.44	538.8
7	17.22	413.28	26.18	628.6
8	19.68	472.32	29.92	718.4
9	22.14	531.36	33.66	808.2
10	24.6	590.4	37.4	898
11	27.06	649.44	41.14	987.8
12	29.52	708.48	44.88	1077.6
13	31.98	767.52	48.62	1167.4
14	34.44	826.56	52.36	1257.2
15	36.9	885.6	56.1	1347
16	39.36	944.64	59.84	1436.8
17	41.82	1003.68	63.58	1526.6
18	44.28	1062.72	67.32	1616.4
19	46.74	1121.76	71.06	1706.2
20	49.2	1180.8	74.8	1796
21	51.66	1239.84	78.54	1885.8
22	54.12	1298.88	82.28	1975.6
23	56.58	1357.92	86.02	2065.4
24	59.04	1416.96	89.76	2155.2
25	61.5	1476	93.5	2245
26	63.96	1535.04	97.24	2334.8
27	66.42	1594.08	100.98	2424.6
28	68.88	1653.12	104.72	2514.4
29	71.34	1712.16	108.46	2604.2
30	73.8	1771.2	112.2	2694
31	76.26	1830.24	115.94	2783.8
32	78.72	1889.28	119.68	2873.6
33	81.18	1948.32	123.42	2963.4
34	83.64	2007.36	127.16	3053.2
35	86.1	2066.4	130.9	3143
36	88.56	2125.44	134.64	3232.8